

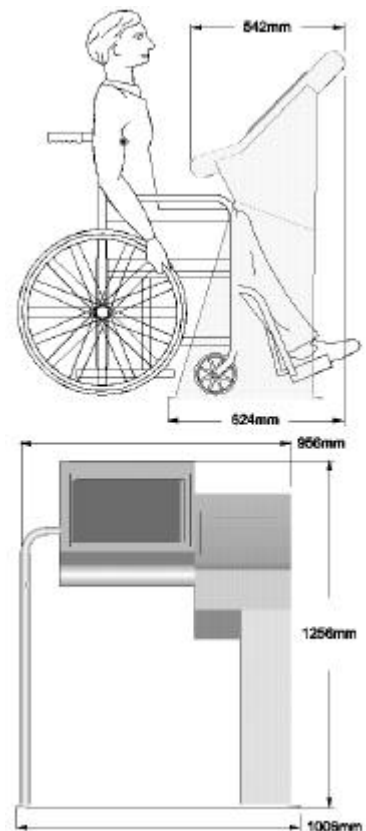
The "OpenAccess" Kiosk.



REACH kiosk shown with keyboard, 17.1" TFT Touch monitor & thermal roll printer option.

Features

- ✓ Freestanding, robust contemporary design.
- ✓ Specifically designed for wheelchair access.
- ✓ High visibility front branding panels
- ✓ Large clear 15" to 21" TFT monitor with capacitive tough touch-screen
- ✓ Direct dial extensions and outside lines with ReceptionMate
- ✓ Wide choice of payment, peripheral and printer options
- ✓ Wide choice of accessibility features designed to assist those with audio, visual or mobility disabilities.
- ✓ High Build Quality
- ✓ Powered by ICE Control Kiosk Client and Network Software



Specification

Processor:	Up to Pentium® 4 Proc 3.06GHz
Memory:	Up to 2Gb RAM, 48Mb Video, 40Gb H/D
Display:	15.1" or 17.1" TFT Capacitive Touch. (15.1" shown above)
Connectivity:	ISDN, PSTN, LAN, DSL, Cable or T1
O/S:	ICE Control on Windows 2000
Dimensions:	H150cm x W87cm x D72cm
Weight:	74Kgs
Housing:	Powder Coated mild steel.
Colouring:	To Customer Specification
Power:	AC 100-240V Max 250W.

Peripheral Options

Pointing Device:	Trackball or Touch-pad
Keyboard:	IP65 67 Key Ruggedized or Natural Keyboard
Video:	Web Video Camera, TV Card
Audio:	Internal Speakers, Speaker and Microphone enabled Handset
Telephony:	ReceptionMate software application with rugged handset, modem and sound card.
Payment:	Coin Acceptor, Credit & Smart Card Readers and Bill Validator.
Accessibility:	JAWS screen reader, Audio jacks, Oversized trackball mouse etc.
Printer:	A4 or 4½" Thermal Roll

ICE Tech Limited.
Units 15-16 Clane Business Park, Clane, Co. Kildare,
Ireland.
Tel: +353 45 892020
Fax: +353 45 893061

Web: www.icetech.ie E-Mail: info@icetech.ie

ICE Tech UK.
Ash House, Fairfield Avenue, Staines, Middlesex, TW18 4AN,
United Kingdom.
Tel: +44 (0) 1784 22 4214
Fax: +44 (0) 1784 22 4402